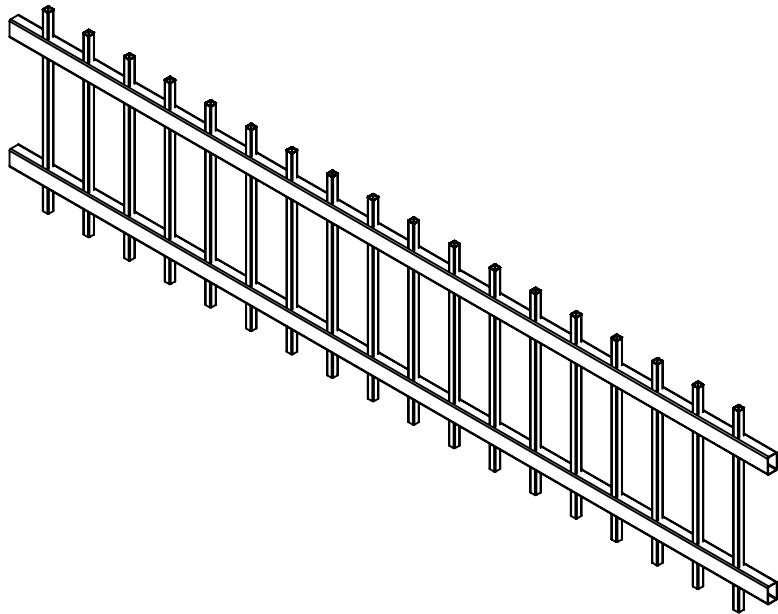
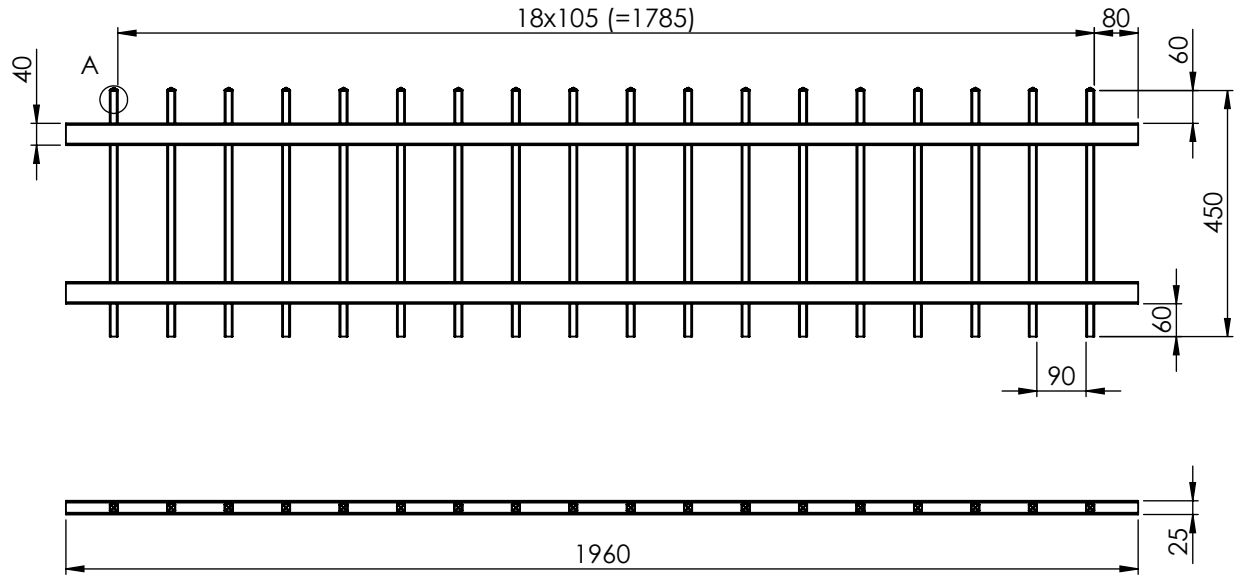
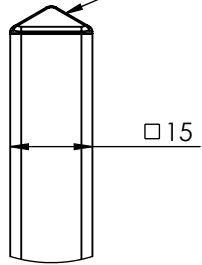
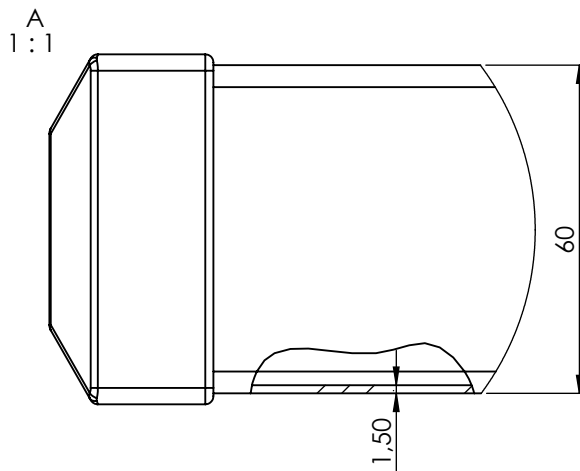
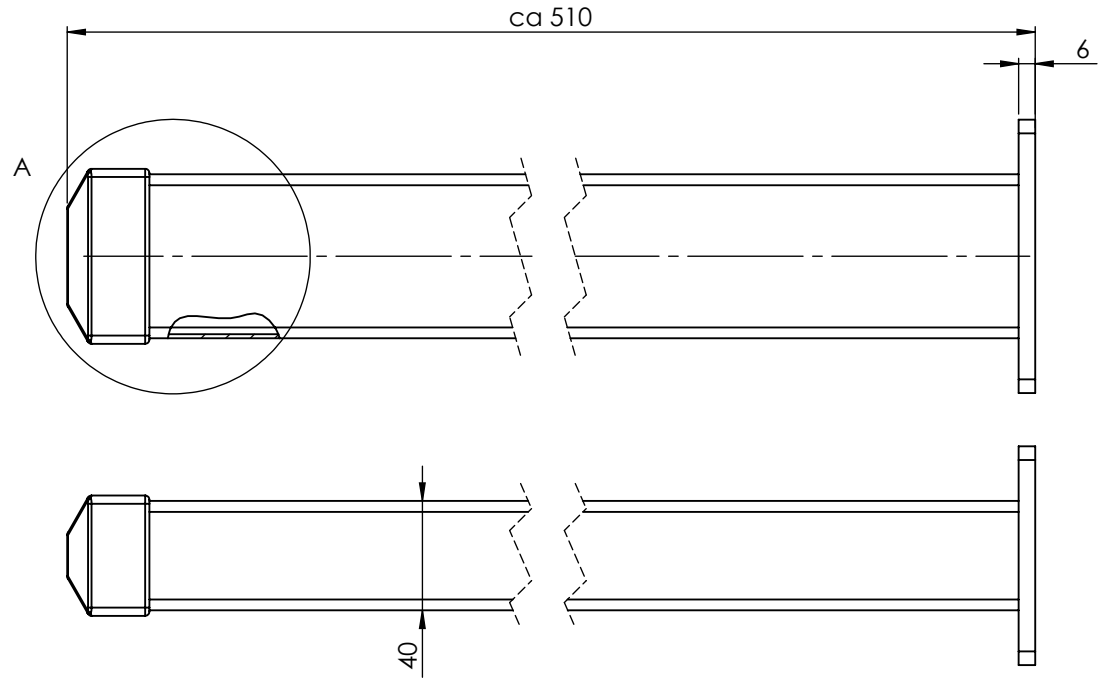
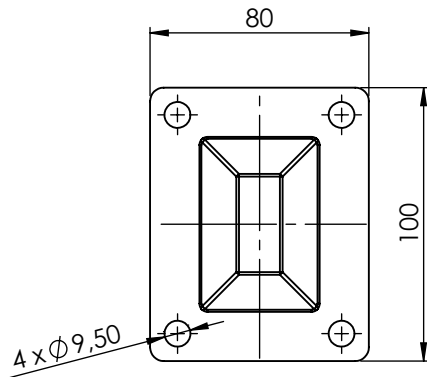
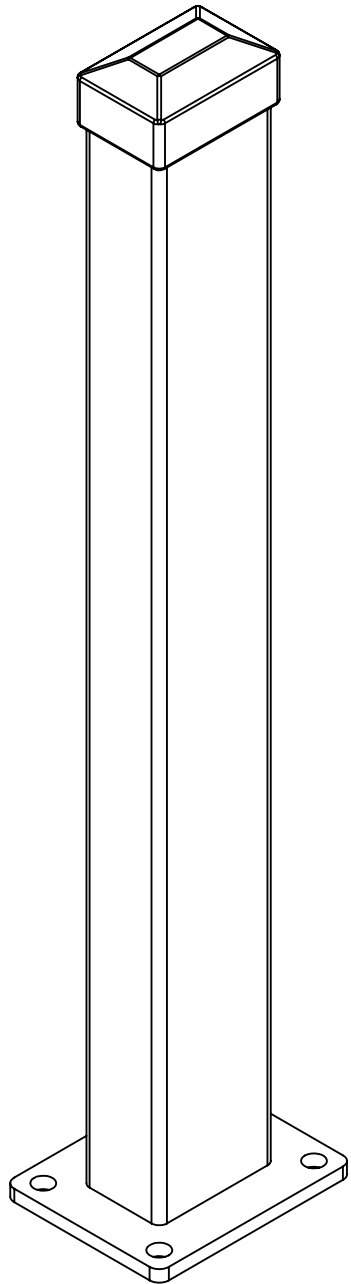


A
1:1



UNLESS OTHERWISE SPECIFIED: DIMENSIONS ARE IN MILLIMETERS		FINISH: Duplex System: hot dip galvanization+ RAL 7016 powder coating		DEBUR AND BREAK SHARP EDGES		DO NOT SCALE DRAWING		REVISION	
SURFACE FINISH:						General tolerances:		ISO 2768	
TOLERANCES:									
LINEAR:									
ANGULAR:									
		NAME		SIGNATURE		DATE		TITLE:	
DRAWN						27.03.2017		Benders fence module 450x1960	
CHK'D						27.03.2017			
APPV'D									
						MATERIAL:		DWG NO.	
								SB_450	
						WEIGHT: 8.93 kg		SCALE:1:10	
								SHEET 1 OF 1	
								A3	



UNLESS OTHERWISE SPECIFIED: DIMENSIONS ARE IN MILLIMETERS		FINISH: Duplex System: hot dip galvanization+ RAL 7016 powder coating		DEBUR AND BREAK SHARP EDGES		DO NOT SCALE DRAWING		REVISION	
SURFACE FINISH:		TOLERANCES:		LINEAR:		ANGULAR:		General tolerances: ISO 2768	
DRAWN		SIGNATURE		DATE		TITLE:		Fence post Benders 500 mm	
CHK'D		SIGNATURE		DATE		DWG NO.:		SBP_500	
APPV'D		SIGNATURE		DATE		MATERIAL:		A3	
WEIGHT: 1.47 kg		SCALE:1:2		SHEET 1 OF 1					